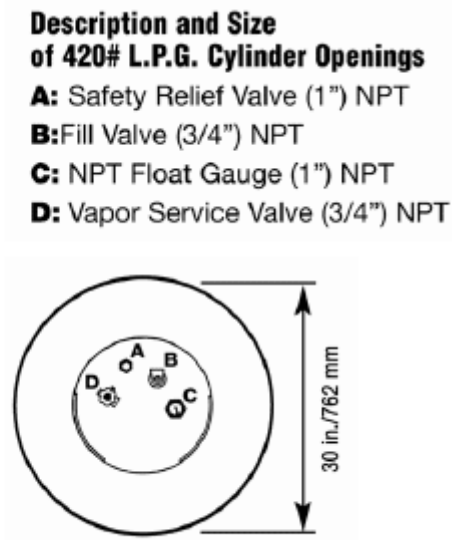
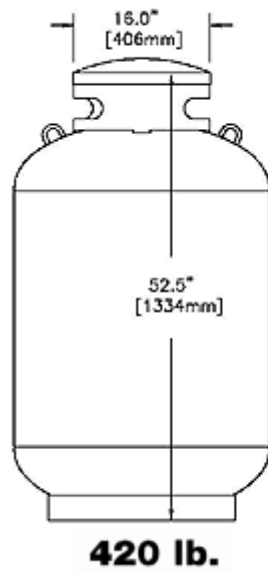
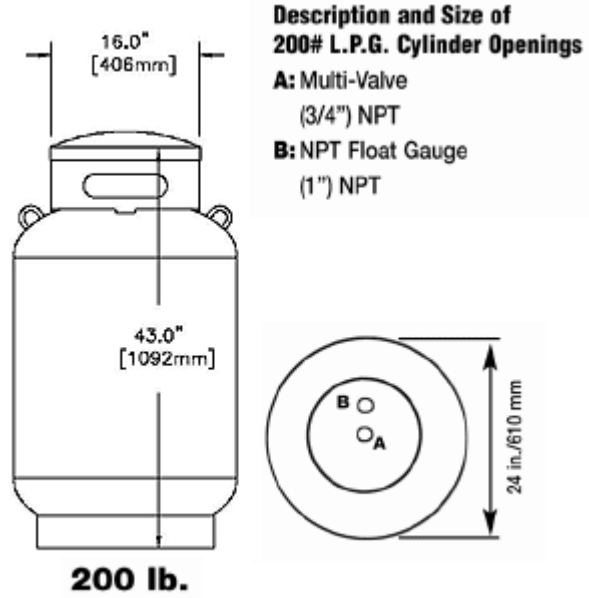
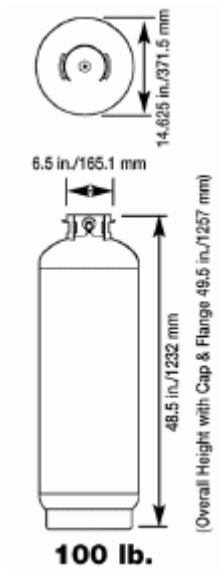


## Steel 100, 200, 420 lb. Specifications

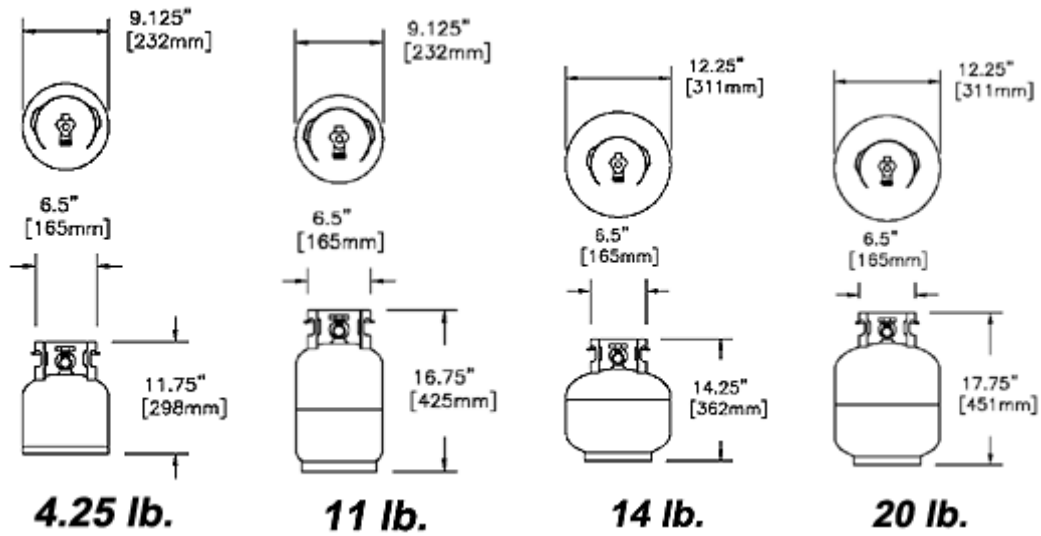


	LPG Capacity	Water Capacity	Tare Weight	Cylinder Volume	Collar Height	Footring Dia. o/s	DOT/ASME Specification
--	--------------	----------------	-------------	-----------------	---------------	-------------------	------------------------

Cylinder Model	gallons	lb.	lb.	cu. in.	inches	inches	
	liters	kg	kg	liters	mm	mm	
100	23.6	239.0	71.0	6629	5.1	14.5	DOT-4BW240
	89.3	108.4	32.2	108.7	130	368	
200	47.2	474	147.0	13147	6.6	19.0	DOT-4BW240
	178.5	215.0	66.7	215.5	168	483	
420	99.1	1000	272.0	27737	6.6	22.0	DOT-4BW240
	375.1	453.6	123.4	454.6	168	559	

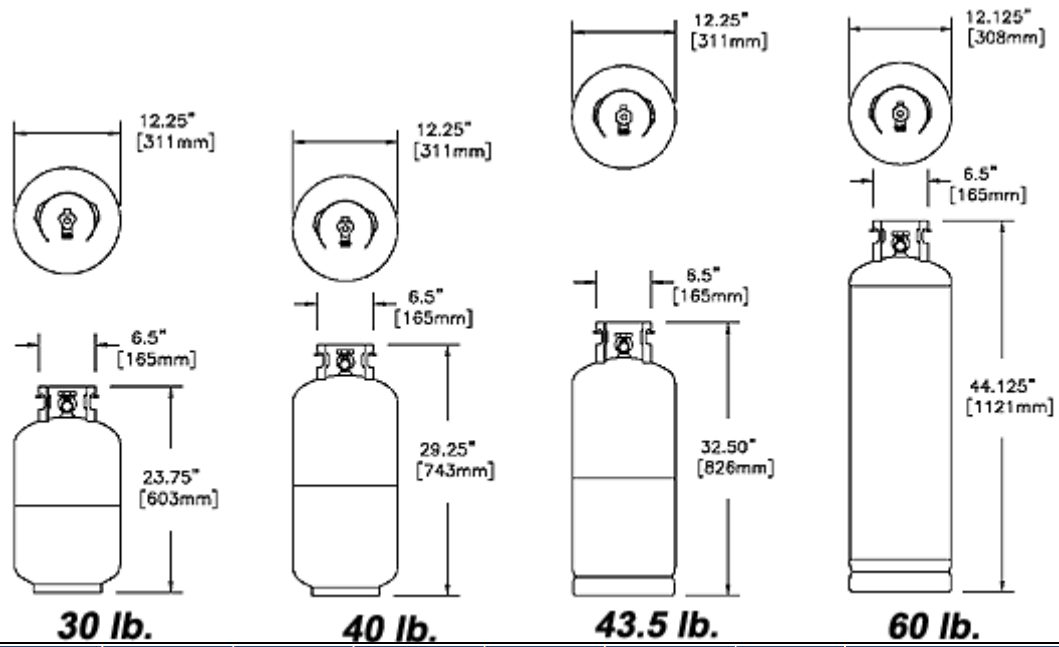
Dimensions and capacities are approximate and may vary slightly from pictures

## Steel 4.25 lb. - 60 lb. Specifications



	LPG Capacity	Water Capacity	Tare Weight	Cylinder Volume	Collar Height	Footring Dia. o/s	Specification
Cylinder Model	gallons	lb.	lb.	cu. in.	inches	inches	
	liters	kg	kg	liters	mm	mm	
4.25	1.0	12.0	11.9	333	4.0	9.1	DOT-4BA240
	3.8	5.4	5.4	5.5	102	231	
11	2.6	26.2	13.8	726	4.0	7.8	DOT-4BA240
	9.8	11.9	6.3	11.9	102	198	
14	3.3	33.2	14.6	919	4.0	7.8	DOT-4BA240
	12.5	15.1	6.6	15.1	102	198	
20	4.7	47.6	17.0	1321	4.0	7.8	DOT-4BA240
	17.8	21.6	7.7	21.7	102	198	

Dimensions and capacities are approximate and may vary slightly from pictures.



Cylinder Model	LPG Capacity	Water Capacity	Tare Weight	Cylinder Volume	Collar Height	Footring Dia. o/s	Specification
	gallons liters	lb. kg	lb. kg	cu. in. liters	inches mm	inches mm	
30	7.1	71.5	25.4	1983	4.0	7.8	DOT-4BA240
	26.9	32.4	11.5	32.5	102	198	
40	9.4	95.2	33.6	2642	4.0	7.8	DOT-4BA240
	35.6	43.2	15.2	43.3	102	198	
43.5	10.3	103.6	34.4	2874	5.1	12.0	DOT-4BA240
	39.0	47.0	15.6	47.1	130	305	
60	14.2	142.9	48.0	3962	5.1	12.0	DOT-4BW260
	53.8	64.8	21.8	64.9	130	305	

Dimensions and capacities are approximate and may vary slightly from pictures.